



Controltech Extension Bar Installation Instructions



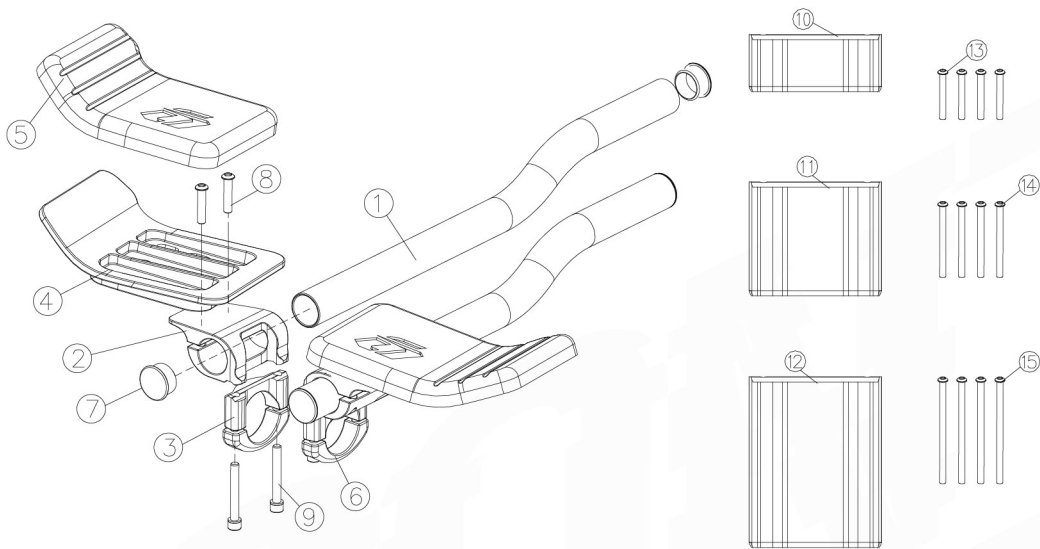
說明

感謝購買Controltech產品。請詳讀此安裝說明書並遵循正確使用方式，若沒有遵從說明書警告事項而導致產品損壞則不再保固範圍內。

保固

從購買日起Controltech提供兩年產品保固。消費者請保留產品保證書或相關的購買證明(如發票或收據)。產品在保固期內有需要維修服務時，煩請提出保證書或相關購買證明。

Controltech保固不包括錯誤或惡意之損壞，也不包含跳躍摔倒降落衝擊或其他的碰撞，以及忽視定期保養和錯誤零件組裝。另外，私自改裝、增加或替換產品上的零件，是不包含在保固內。自然的損壞也不包含在保固範圍內。



產品名稱 / 型號

Controltech Extension / TTH-15/16/25/26

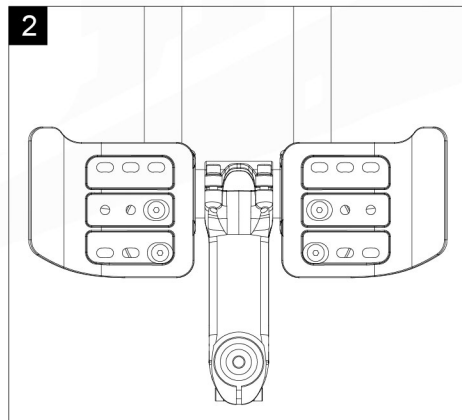
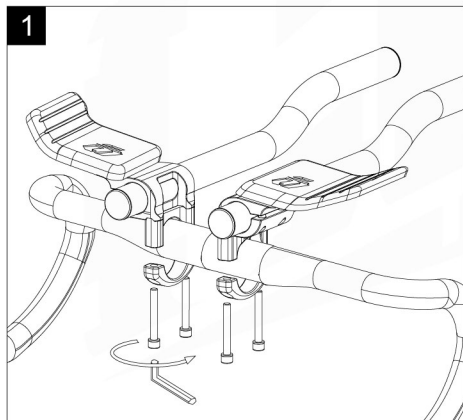
零件名稱

- ① 延伸把x2。
- ② G夾x2。
- ③ C夾x2。
- ④ 手肘板x2。
- ⑤ 手肘墊x2。
- ⑥ 下蓋x2。
- ⑦ 端塞x2。
- ⑧ M5螺絲x4(25mm)。
- ⑨ M5螺絲x4(35mm)。

配件

- ⑩ 20mm墊片x2。
- ⑪ 40mm墊片x2。
- ⑫ 60mm墊片x2。
- ⑬ M5螺絲x4(55mm)(墊高20mm)。
- ⑭ M5螺絲x4(75mm)(墊高40mm)。
- ⑮ M5螺絲x4(95mm)(墊高60mm)。

(Need to purchase separately)



安裝說明

1. 安裝前檢查產品外觀是否整潔或有任何粗糙瑕疵，為避免傷及產品。有的話請聯繫經銷商或車店。
2. 本產品建議組裝於公路車/計時車把上。
3. 組裝時請確認車手直徑為 $\phi 31.8\text{mm}$ ，才能適當的鎖固本產品。
4. 取下下蓋後將主體置中放置於車手上，下蓋鎖固於車手上，鎖固最大扭力值為5Nm，確認符合使用需求時將螺絲平均鎖緊即可。
5. 將(D)手肘靠墊固定於手肘板上。





Controltech Extension Bar Installation Instructions

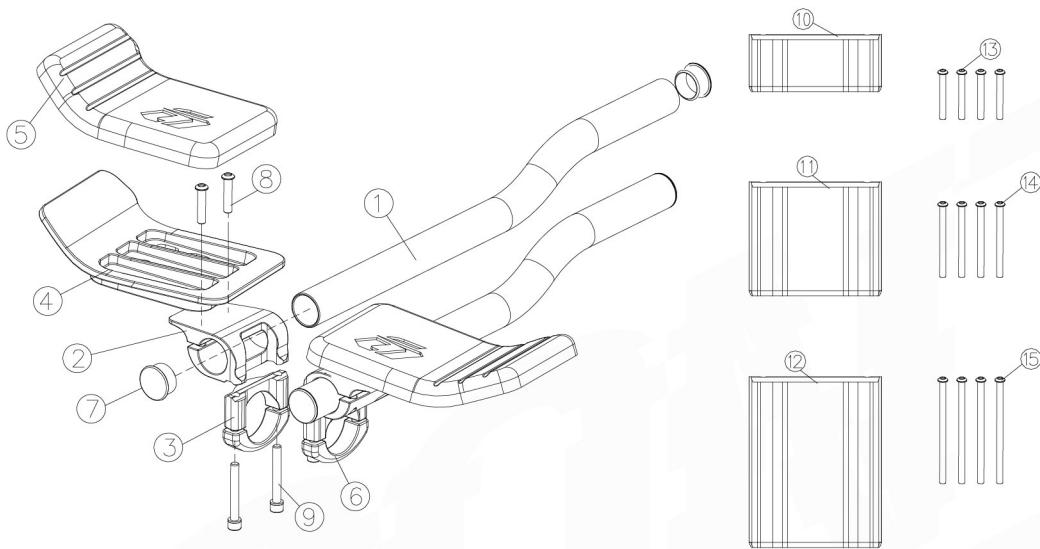


Thank you for choosing this Controltech. With proper care and installation, it will give you trouble-free, enjoyable use.

In order to maximize the safe enjoyment of this product, you should read and carefully follow the following installation instructions and warnings. Failure to do so could result in unexpected wear and/or failure, possibly resulting in injury.

Controltech warrants this product to be free from defects in materials and workmanship for a period of two years from the date of purchase when purchased from an authorized Controltech dealer. This warranty is extended only to the original owner of the product and is not transferable. Proof of purchase is required for any warranty service, so be sure to keep your receipt.

This warranty does not cover cosmetic or structural damage arising from misuse or abuse, including damage caused by crashes, jumping and landing, front end impact, falls or any other collision, owner neglect of regular maintenance, improper installation of parts and accessories. Controltech makes no warranty if modifications, changes, additions or substitutions are made to any components. Wear from normal use or exposure to environmental elements is not covered by this warranty. Controltech makes no warranty against any incidental or consequential damage to bike or parts, or rider injury caused by defects as covered in this warranty.



Model name / Model no.

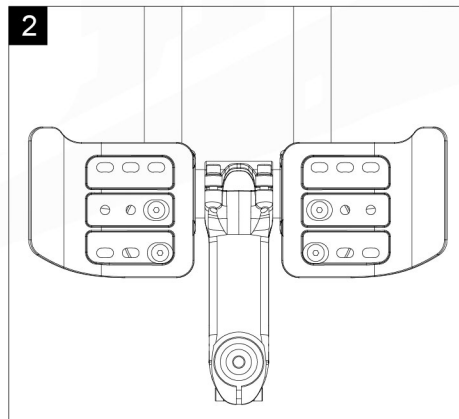
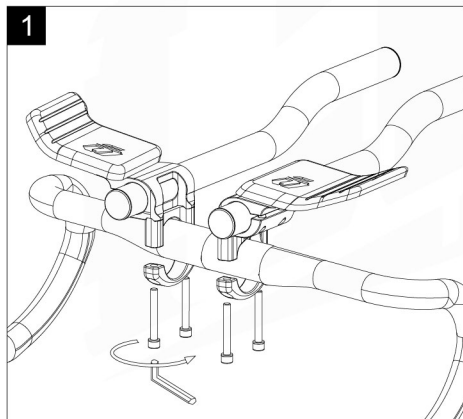
Controltech Extension / TTH-15/16/25/26

Part

- ① Extension x2 °
- ② G Clamp x2 °
- ③ C Clamp x2 °
- ④ Elbow pad cradle x2 °
- ⑤ Elbow pad x2 °
- ⑥ Lower clamp x2 °
- ⑦ Extension end cap °
- ⑧ M5 bolt x4(25mm) °
- ⑨ M5 bolt x4(35mm) °

Accessories

- ⑩ 20mm spacers x2 ° (Need to purchase separately)
- ⑪ 40mm spacers x2 °
- ⑫ 60mm spacers x2 °
- ⑬ M5 bolts x4 (Length 55 mm for 20mm stack height) °
- ⑭ M5 bolts x4 (Length 75 mm for 40mm stack height) °
- ⑮ M5 bolts x4 (Length 95 mm for 60mm stack height) °



Installation Instructions:

1. Inspect the product for any defectives before installation and please contact the dealer or distributor if any.
2. We suggest to assemble this product on the road bike handlebar or TT bike handlebar.
3. This product must be assembled on the handlebar with 31.8mm bar bore.
4. Clamp the TT handlebar on the center of the bar bore area and tighten the screws (Max. torque 5Nm)..
5. Assemble elbow pad.

